

Whole home heating

kaden°
intuitive air

www.kadenair.com.au

Kaden gas ducted heaters.

On those cold wintery days there is nothing like coming home to a warm, comfortable and cosy environment. The Kaden gas ducted heating range makes this possible.

Combining innovative features with intelligent design, Kaden gives you precise control of your home environment. Designed specifically for Australian homes throughout winter, the Kaden gas ducted heating range provides ultimate comfort with low running costs. Made to last, every Kaden gas ducted heater comes with a full 5-year warranty plus an optional 2 year extended warranty. A solid 10 year warranty comes standard on the heat exchanger. Life is a breeze with Kaden.



Product quality guarantee

Kaden gas ducted heaters enjoy a 5+2 year warranty with 10 years on the heat exchanger. See page 14 for further details.



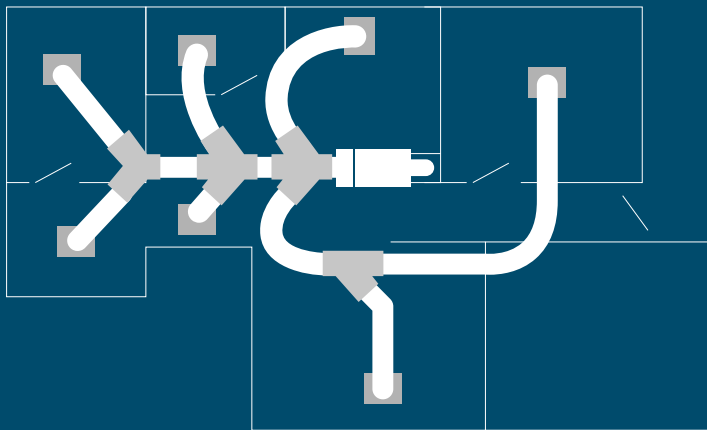
+



Gas ducted heating

What is gas ducted heating?

Kaden gas ducted heating is the easiest, most comfortable way to heat your entire home. A gas ducted heater works by taking air from within the house, heating it then distributing through a series of duct work and outlets in the roof or under the floor. As your home is heating, our clever Kaden controller monitors room temperature on a continual basis to achieve your desired level. Once your home reaches the desired temperature, the unit switches off. The fan will then slowly come to a stop, ensuring all remaining heat inside the unit is used.



A gas ducted heater works by taking air from within the house, heating, then distributing through a series of duct work and outlets in the roof or under the floor.

Benefits of gas ducted heating



Heat the entire home

Gas ducted heating can heat up an entire house by using multiple outlets.



Zoned and unzoned systems

Gas ducted heaters can be zoned which allows the home owner to pick and choose what rooms need to be heated to save on running costs.



Produces less carbon dioxide

Natural gas powering this heating system produces fewer greenhouse gas emissions than refrigerated ducted units.



Instant warmth

Gas ducted heating delivers instant warmth into your home.

The most comfortable way to heat your entire home

How does it work?

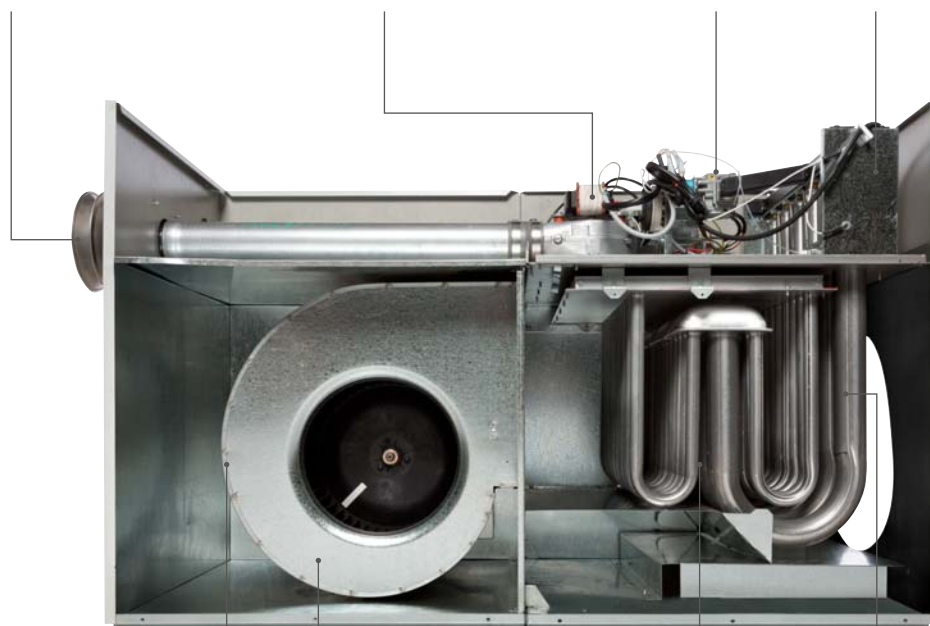
Gas ducted heaters work by the soft start fan drawing air into the unit. This air then passes over the heat exchanger which is heated by gas combustion. The warm air is then distributed throughout the home via a series of ducts and outlets.

Weather proof flue (external only)

Automatic combustion fan:
Adjusts the combustion air through the heat exchanger for maximum efficiency.

Electronic start
Electronic start ensures no wasted gas (pilot light) when not in operation.

Modulating gas valve
Keeps you comfortable with a more even temperature.



Soft start fan
Prevents cold drafts on startup.

Adjustable air volume
Better manage the air flow to your home with adjustable air volume.

Multi pass heat exchanger
Maximum efficiency and minimal gas usage.

Boost mode
Warms up your home extremely quickly.

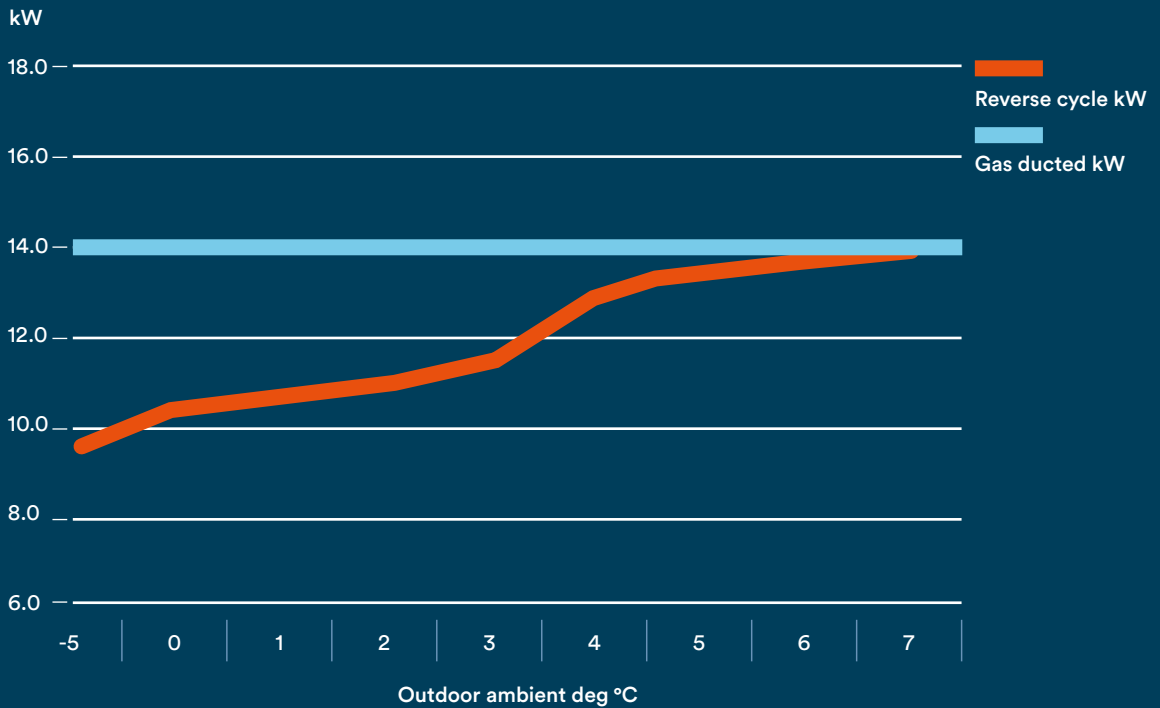
*KUN5 Series shown. Some features not on all models.

Kaden efficiency

What to consider

When comparing gas ducted heating to other types of heating, it's important to consider all factors. Initial set-up costs, running costs, emissions produced and overall effectiveness should play a role in your decision. When you take all these factors into account, gas ducted heating comes out on top. During the winter months, ducted reverse cycle heaters become less effective. A Kaden gas ducted heater on the other hand, maintains its power and efficiency regardless of outdoor temperatures.

Gas ducted vs typical electric reverse cycle



As the outdoor temperature drops, ducted reverse cycle heaters become less effective. Kaden's gas ducted heater maintains its power output (shown in graph above) to keep you and your house toasty all through winter.

Energy saving is a critical factor when selecting your heater

Star ratings

The Star Rating on your Kaden gas ducted heater indicates how much gas your ducted heater will use. The higher the star rating the cheaper the running costs. Every additional star will save you around 10% on the running costs. In cooler areas, heating accounts for around one third of the average homes energy cost, so the additional energy saving can really add up. The Kaden Universal gas ducted heater range comes in 3, 4 and 5 Star options, while our external replacement unit comes in 3 Star or 4 Star options.

Savings percentage



*Savings percentage compared to the Kaden 3 Star units

Kaden universal

Flexible installation

Kaden's Universal heaters have flexible installation options and are suitable for internal or external applications. They are designed to suit virtually any home. Our universal models use advanced technology to ensure quality and reliability and come in a 3, 4 or 5 Star model.

3 Star

- > Compact & splittable for easy handling
- > 3 speed fan
- > Induced combustion system
- > Electronic ignition (no standing pilot)

4-5 Star

- > Splittable for easy handling
- > Variable speed fan
- > Multi speed induced combustion system
- > Multi-pass aluminised heat exchanger

- > Electronic ignition (no standing pilot)
- > Boost mode on cold start up
- > Modulating gas valve
- > On-board zoning capability with Networker controller
- > Continuous warm air, no cold draft on start up

Kaden universal

Models	Application	Stars	Airflow @100 Pa ESP	Output (kW)	L	W (mm)	H	W (kg)	Gas Type
KUN315	Int/Ext	3.0	430	15.0	844	408	627	48	NG
KUN320	Int/Ext	3.0	505	19.0	844	408	627	49	NG
KUN325	Int/Ext	3.0	595	23.0	844	408	627	49	NG
KUN330	Int/Ext	3.0	920	30.0	941	552	645	68	NG
KUN415	Int/Ext	4.0	555	15.0	845	397	625	55	NG
KUN420	Int/Ext	4.0	555	19.0	845	397	625	58	NG
KUN425	Int/Ext	4.0	565	23.0	845	397	625	58	NG
KUN430	Int/Ext	4.0	920	30.0	923	549	644	75	NG
KUN521	Int/Ext	5.0	740	21.0	1046	430	657	63	NG
KUN530	Int/Ext	5.0	1,030	30.0	1096	550	707	85	NG

Note: *5 Star Universal units are non condensing

Internal or external models designed to suit virtually any home



Interchangeable panels for flexible installation.
Unit can be split in two for easier handling.

Kaden external

Robust design

Kaden's External range is available in both a 3 and 4 Star rating and has been specifically designed to be robust, reliable and efficient. It's the perfect changeover unit for existing outdoor ducted heaters. In many cases Kaden's gas and electric connection points will be in the same spot as the existing model, saving on installation cost. Kaden will also retrofit to most existing air distribution base boxes.

3 and 4 Star

- > External only
- > Direct retro fit for some older models
- > 3 speed fan
- > Induced combustion fan
- > Electronic ignition (no standing pilot)

Kaden external

Models	Application	Stars	Airflow @100 Pa ESP	Output (kW)	L	W (mm)	H	W (kg)	Gas Type
KEX315	External	3.5	461	15.5	850	420	775	57	NG
KEX320	External	3.5	540/570*	20.0	850	420	775	58	NG
KEX328	External	3.5	845/955*	28.0	1030	579	894	68	NG

KEX415	External	4.0	461	15.5	850	420	775	57	NG
KEX420	External	4.0	541/574*	20.0	850	420	775	58	NG
KEX428	External	4.0	849/957*	28.0	1030	579	894	68	NG

Note: *Indicates standard /XA Base Boxes (Base Box Dependent)

**Designed specifically
to be robust, reliable
and efficient**



Optional Kaden Base
Box available in standard
and extra air (XA)

Kaden controllers



P/Code 1621291

Networker controller

The Kaden Networker controller provides maximum flexibility in the operation of your 4 or 5 Star universal Kaden gas ducted heater. In full automatic mode, the Kaden Networker detects the surrounding environment and adjusts the heating power as required achieving ultimate comfort at the lowest running cost.

The Kaden 4 and 5 Star Universal units come complete with a Networker. Alternatively, the Networker can be purchased as an upgrade for the Kaden 3 Star unit, as well as the external ranges, to do this you will need to add the Kaden Interface 539.

You can also use the Kaden Networker controller with your Kaden evaporative cooler.

The Kaden Networker can control both your Kaden heating and Kaden evaporative cooling.



P/Code 3212103

Digital Manual Controller

The Digital Manual Controller comes standard with the Kaden 3-star and 4-star External and 3-star Universal gas ducted heaters. It is a simple to use heating only thermostat with a large easy to read digital display.

Area zoning

What is zoning?

In the cooler parts of Australia households spend about \$800 a year or around one third of the average home's energy bill on heating.

Zoning your home for heating is a great way to save energy and money. Zoning your home gives you the ability to only heat the rooms you need to.

Benefits of zoning

- > Control up to four individual zones/rooms
- > Saves money
- > Creates fewer emissions
- > Customised programming for each individual zone

FOR EXAMPLE:

Controlling temperature in only the bedrooms overnight or just the living areas during the day. The Kaden Networker controller gives you the ability to do this, as it detects the surrounding environment and adjusts the fan speed and heating power as required achieving ultimate comfort at the lowest running cost.

Zoning Accessories (to suit KU4 & KU5 series only)

Product Code	Description	Application
1621340	Kaden Remote Temperature Sensor	Reads the zone temperature, used with Networker
1621341	Kaden Power Module	Used when more than two (2) Networkers on a zoned system.
1621342	Kaden Networker 516 Module	Used when more than two zones required on KU4 or KU5 models.

Peace of mind

Warranty

Kaden is committed to total customer care, so you'll enjoy market-leading warranties and ongoing after-sales support. The Kaden gas ducted heater range offers a 5-year warranty on parts and labour for residential and light commercial, with the option of extending the warranty for a further 2 years. Kaden also offers a 10 year warranty on the heat exchanger.



+



Extended warranty option

Kaden's extended warranty includes terms and conditions, including the requirement for regular servicing in accordance with the owner's manual. To be eligible for the extended two year warranty option you must:

- Register your Kaden product online at www.kadenwarranty.com within the first 12 months of the product being installed, and
- In the fourth year, a paid general maintenance service must be performed by the manufacturer or its appointed nominee.

For full terms and conditions please visit www.kadenwarranty.com

Installation accessories

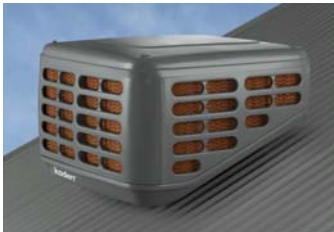
Kaden gas ducted heaters have available base boxes, flashings and flues.

Product Code	Description	Suits
1621292	Kaden Networker Interface 539	Required when fitting a Networker to KEX3, KEX4 or KUN3 models
1621293	Kaden Base Box	300mm pops for KEX315, KEX320, KEX415, KEX420
1621294	Kaden Base Box	350mm (XA) pops for KEX315, KEX320, KEX415, KEX420
1621295	Kaden Base Box	350mm pops for KEX328, KEX428
1621296	Kaden Base Box	400mm (XA) pops for KEX328, KEX428
1621297	Kaden Flashing	150mm for KEX315, KEX320, KEX415, KEX420
1621298	Kaden Flashing	150mm for KEX328, KEX428
1621299	Kaden Flashing	150mm KUN315, KUN320, KUN325, KUN415, KUN420, KUN425 (external application)
1621300	Kaden Flashing	150mm for KUN330, KUN430 (external application)
1621301	Kaden Flashing	150mm for KUN521 (external application)
1621302	Kaden Flashing	150mm for KUN530 (external application)
1621303	Kaden Stainless Steel Flue	Weatherproof Flue S/S for all Universal models for external applications
1621343	Kaden Remote Flue Terminal	Stainless steel remote flue terminal cover used for horizontal flue applications

Evaporative coolers

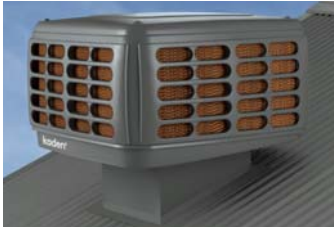
Kaden also offers a range of evaporative coolers to complement your gas ducted heater for year round comfort.

Evaporative cooling is an efficient solution for cooling your entire house providing fresh, clean air throughout your home. An evaporative cooler creates cool air by drawing in fresh air which is carried over moistened pads which cools and filters the air.



Low Profile

The Kaden Low Profile evaporative cooler is a sleek design that sits contoured on your roof. The low profile model uses advanced technologies to ensure quality and reliability, delivering volumes of cool air throughout your home, without the large profile of traditional evaporative coolers.



Classic

The Kaden Classic evaporative cooler has been developed for large airflow requirements, with a stylish design ideal for both new installations and replacements.

Benefits of Evaporative Cooling



Fresher

The air inside your home is not re-circulated.



Economical

Cheaper set up and running costs by utilizing less energy than refrigerated systems.



Healthier

A totally natural and comfortable cooling process, evaporative cooling won't dry out the air, preventing irritation to your skin, throat or eyes.



Quiet

Discreet quiet noise levels.

kaden°
intuitive air

www.kadenair.com.au

Metalflex. Works for you.™

Visit www.metalflex.com.au for your nearest Metalflex store.

Due to limitations in the printing process the colours in this brochure are a guide only.
The manufacturer/distributor reserves the right to vary specifications or delete models from their range without prior notification. The manufacturer/distributor takes no responsibility for printing errors.
All products enjoy a product replacement warranty. For full warranty details visit metalflex.com.au/kaden

V2 [BROCHURE CODE 2131743]

kaden° | **metalflex™**